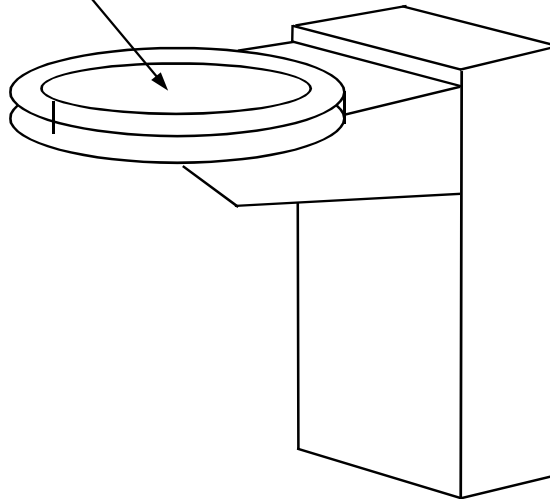


ADAPTERS

75 mm Adapter

Fits into bowl at the end of the

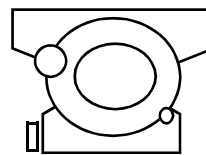


Camera Platform
(camera end of jib)

100 mm Half Ball

(75mm available also)

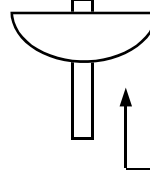
Mounts to the bottom of your pan/tilt head



Pan Tilt Head



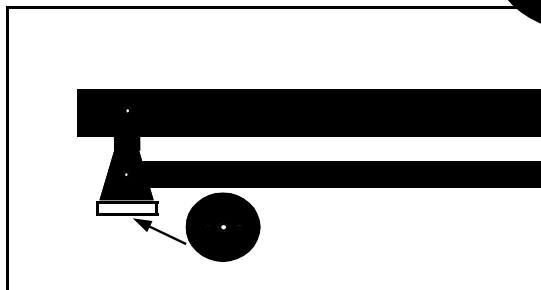
Claw Ball



Set Screws

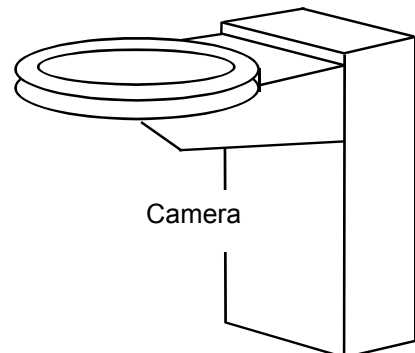
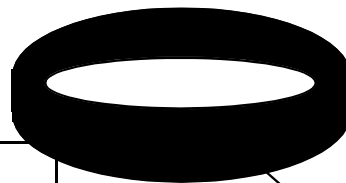
150mm Adapter

Ring and Plate..



RING

Fits to bowl at the end of the jib.



Camera

Plate

Fits to the swivel base of the Jib and replaces the Black plastic spacer on the swivel base.