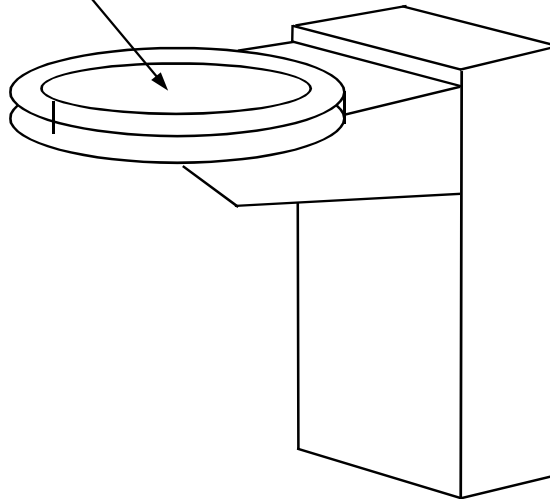


# ADAPTERS

## 75 mm Adapter

Fits into bowl at the end of the

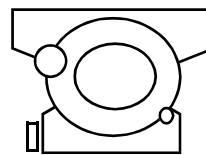


Camera Platform  
(camera end of jib)

## 100 mm Half Ball

*(75mm available also)*

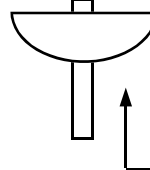
Mounts to the bottom of your pan/tilt head



Pan Tilt Head



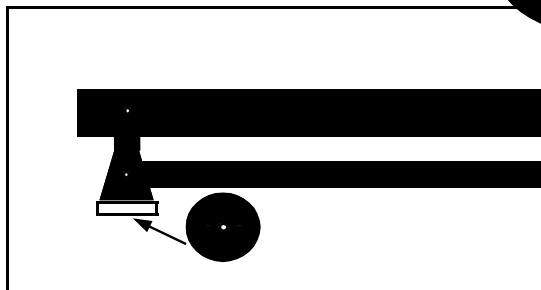
Claw Ball



Set Screws

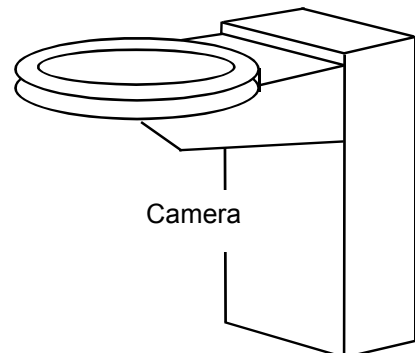
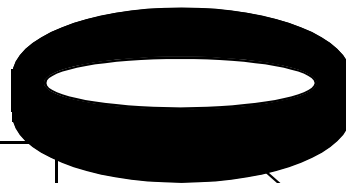
## 150mm Adapter

Ring and Plate..



## RING

Fits to bowl at the end of the jib.



Camera

## Plate

Fits to the swivel base of the Jib and replaces the Black plastic spacer on the swivel base.